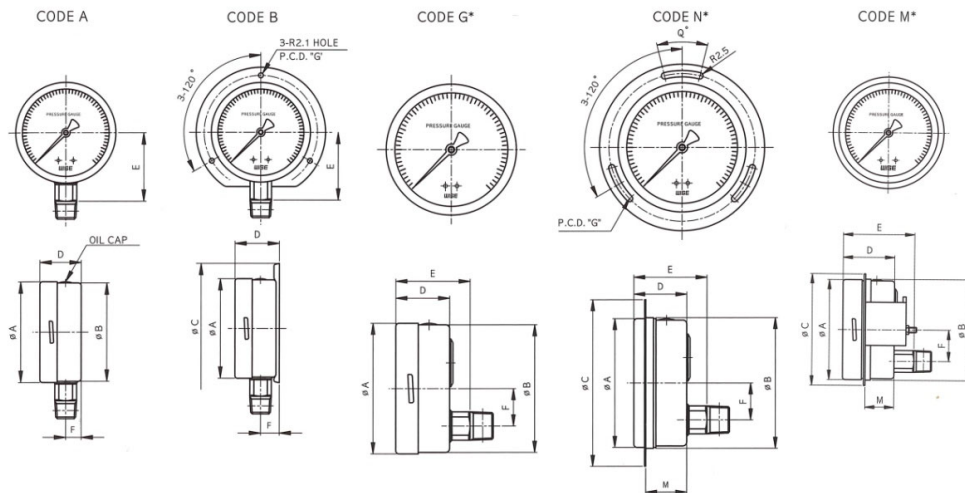


100mm Industrial Quality Pressure Gauge

Model: P253-4

Case and bezel material:	304 stainless steel liquid fillable
Connection:	Copper alloy 2.0460
Bourdon tube material:	<10000 kPa = Copper alloy 2.0460, ≥10000 kPa = 316 Stainless Steel
Working temperature:	Ambient = -20~65° C, Process = + 60° C
Dial:	Aluminium, black print on white background
Ranges:	-100~0 kPa to 0~100000 kPa
Connection:	3/8" BSPT lower mount, lower back mount
Window:	Laminated safety glass
Blowout protection:	Rubber disc on the back
Over Range Protection:	130% of full scale
Movement:	304 Stainless steel
Pointer:	Micro-adjustable
Accuracy:	1.0% of full scale
Protection Rating:	IP65



Dimensions in mm

Dial Size	Available Code	A	B	C	D	E	F	G	M	Q
100	A*	101.3			50	83	16			
	B*	101.3		133	54.4	83	19.4	116		
	G*	101.3	99		50	83	29			
	N*	101.3	103.1	131	50	83	29	116	45	28
	M*	101.3	101	107.5	50	65	29		29.5	

Range (in kPa)	Lower Mount Code A*	Lower Back Mount	Range (in kPa)	Lower Mount Code A*	Lower Back Mount	Accessories Available	
-100-0	H2702000	On request	0-2500	H2702024	H2702341 (Code G)	Back Flange P/N: H2701997	
-100/+150	On request	On request	0-4000	H2702026	H2702342 (Code M)		
-100/+300	H2702002	On request	0-6000	On request	H2702343 (Code M)		
-100/+500	On request	On request	0-8000	On request	On request	Internal Restrictor	
-100/+900	H2702003	On request	0-10000	On request	H2702344 (Code M)		
-100/+1500	On request	On request	0-16000	H2702034	On request	Glycerine Filling P/N: H2701999	
0-100	H2702010	On request	0-25000	On request	On request		
0-160	H2702012	On request	0-40000	On request	On request		
0-250	H2702014	On request	0-60000	On request	On request	Polycarbonate Lens P/N: H2701992	
0-400	H2702016	On request	0-80000	On request	On request		
0-600	H2702017	On request	0-100000	On request	On request		
0-800	H2702018	On request					
0-1000	H2702020	On request					
0-1600	H2702022	On request					
Weight gms			Add 320 gms for glycerine filling				