

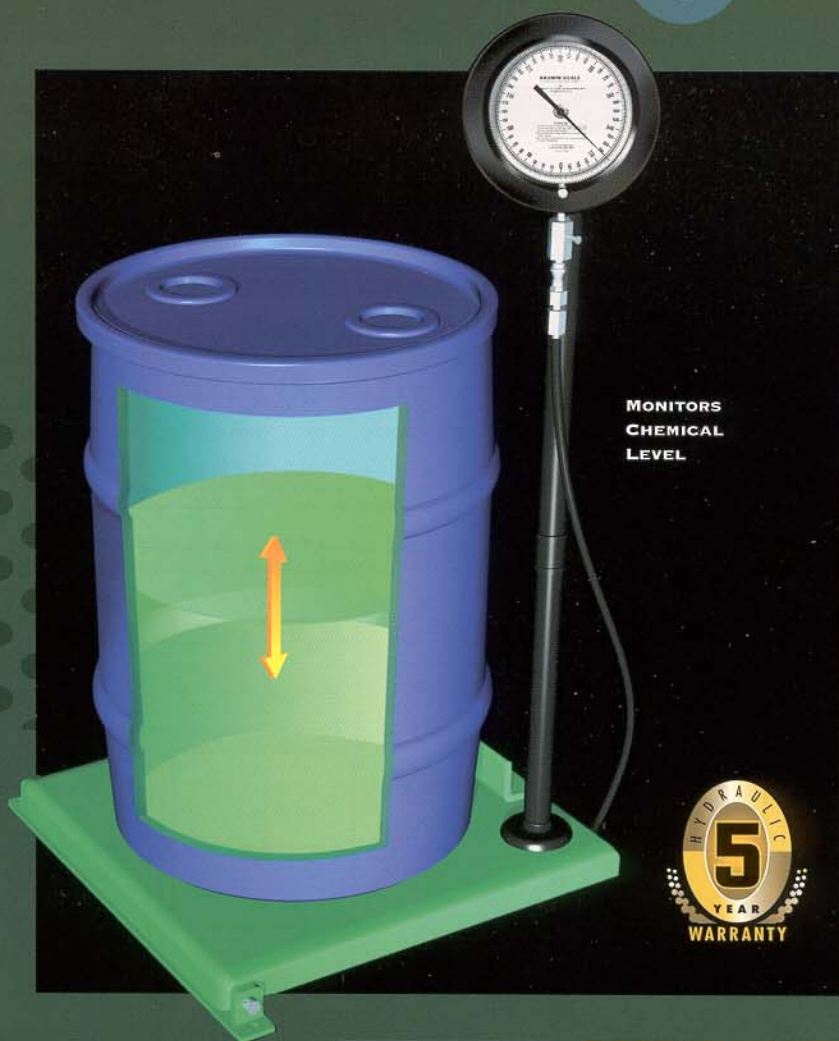
HYDRAULIC DRUMM-SCALE™

BULLETIN
205

FOR CHEMICAL INVENTORY MANAGEMENT

- PREVENTS SYSTEMS FROM RUNNING EMPTY
- NON-INTRUSIVE AND NON-CONTACTING
- EXCELLENT FOR DOCUMENTING CHEMICAL USAGES
- LOW PROFILE
- CORROSION RESISTANT EPOXY POWDER COATING
- LOW-LEVEL ALARMS AND 4-20 MA SIGNALS AVAILABLE

FLUORIDE
POLYMER
SODIUM HYPOCHLORITE
SODIUM BISULFITE
POTASSIUM PERMANGANATE
SODIUM HYDROXIDE
CAUSTIC
ALUM



MONITORS
CHEMICAL
LEVEL

HYDRAULIC
5
YEAR
WARRANTY

DRUM & CARBOY SCALE FOR MUNICIPAL & INDUSTRIAL CHEMICAL FEED SYSTEMS

STRICT FEDERAL AND STATE REPORTING REQUIREMENTS HAVE CREATED A NEED FOR MUNICIPAL PLANT OPERATORS TO EASILY AND ACCURATELY TRACK CHEMICAL FEED RATES AND USAGES IN WATER AND WASTEWATER TREATMENT PLANTS. ALSO, BY KNOWING EXACTLY HOW MUCH CHEMICAL REMAINS, PLANT OPERATORS CAN BE ASSURED THAT THE DRUM WILL NOT RUN EMPTY DURING THEIR ABSENCE.

OUR LOW PROFILE CORROSION RESISTANT PLATFORM ALLOWS OPERATORS TO LOAD AND UNLOAD DRUM PACKAGED CHEMICALS SAFELY AND EASILY. USING THE DRUMM-SCALE FOR YOUR INVENTORY



CENTURY™ HYDRAULIC SYSTEM
REQUIRES NO POWER! IT IS
VIRTUALLY MAINTENANCE FREE
AND IS IMMUNE TO POWER
FAILURE, LIGHTNING STRIKES
AND RFI/EMI.

MANAGEMENT RESULTS IN AN INEXPENSIVE, NON-CONTACTING, HIGHLY RELIABLE METHOD OF MEASURING LEVEL. WEIGHT (OR MASS) IS AN INHERENTLY ACCURATE MEANS OF MEASURING VESSEL CONTENTS BECAUSE IT IS INDEPENDENT OF VESSEL SHAPE, TEMPERATURE, AND CORROSIVE CHARACTERISTICS OF THE CONTENTS. THE DRUMM-SCALE IS EASILY INSTALLED BY REGULAR PLANT PERSONNEL AND WITH OUR FULL 5 YEAR WARRANTY, REQUIRES VIRTUALLY NO MAINTENANCE.

FORCE FLOW
EQUIPMENT

OVER 30 YEARS OF EXPERIENCE

HYDRAULIC DRUM-SCALE™

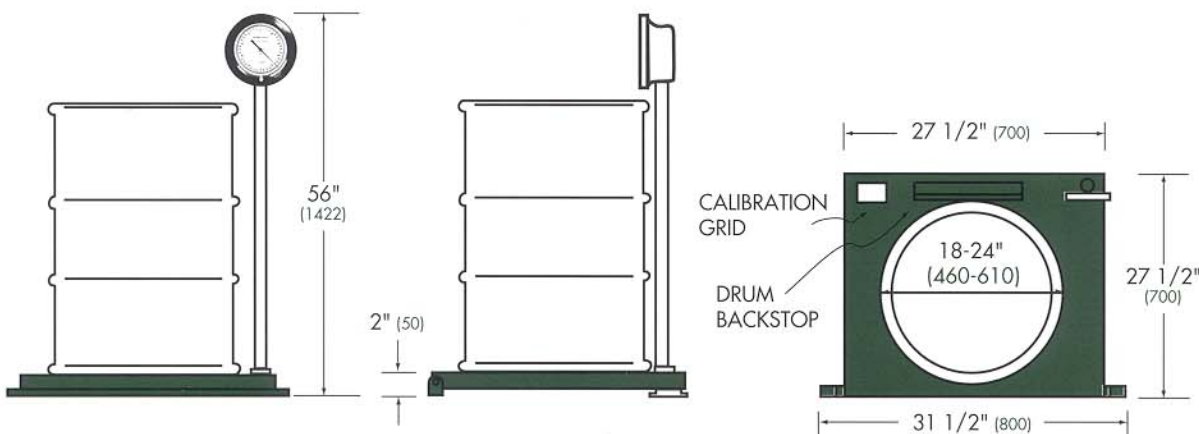
MODELS AND ORDERING INFORMATION

STANDARD MODELS ARE SIZED TO ACCEPT DRUMS OR CARBOYS FROM 18" TO 24" IN DIAMETER (APPROXIMATELY 30 TO 55 GALLON DRUMS). SCALES COME COMPLETE WITH PLATFORM, DIAL STAND, LOAD CELL WITH 5 FEET OF HYDRAULIC TUBING AND 8-1/2" DIAL READOUT. FOR OTHER DIAL SIZES, CAPACITIES AND REMOTE DIAL MOUNTING (UP TO 50 FEET), ALARMS OR TRANSMITTERS, PLEASE CALL FACTORY. FOR TANKS UP TO 1,000 GALLONS, REFER TO CHEM-SCALE BROCHURES.

| DESCRIPTION | MODEL NUMBERS | | | |
|----------------------|-------------------|-------------------|-------------------|-------------------|
| EPOXY POWDER COATED: | 8D4DS | 8D6DS | 8D8DS | 8D10DS |
| 316 STAINLESS STEEL: | 8D4DSS | 8D6DSS | 8D8DSS | 8D10DSS |
| CAPACITY: | 0-400 LBS | 0-600 LBS | 0-800 LBS | 0-1000 LBS |
| DRUM SIZE: | 18" - 24" | 18" - 24" | 18" - 24" | 18" - 24" |
| PLATFORM SIZE: | 27 1/2" x 27 1/2" | 27 1/2" x 27 1/2" | 27 1/2" x 27 1/2" | 27 1/2" x 27 1/2" |
| WEIGHT: | 103 LBS | 103 LBS | 103 LBS | 103 LBS |
| FULL SCALE ACCURACY: | 1/2 OF 1% | 1/2 OF 1% | 1/2 OF 1% | 1/2 OF 1% |
| MINIMUM INCREMENTS: | 1 LB | 2 LB | 2 LB | 2 LB |

SPECIFYING GUIDELINES: A) SIZE SCALE CAPACITY TO MATCH GROSS WEIGHT (CHEMICAL & TANK TARE WEIGHT). B) TANK DIAMETER SHOULD NOT EXCEED 24". C) SUPPLY CONNECTIONS MUST BE FLEXIBLE & PREFERABLY CONNECTED AT PIVOT END OF PLATFORM.

METRIC MODELS AVAILABLE
AT NO EXTRA CHARGE



DIMENSIONS: INCHES (MILLIMETERS)

TYPICAL SPECIFICATION FOR HYDRAULIC DRUM SCALES

DRUM SCALE SHALL BE OF THE HYDRAULIC LOAD CELL TYPE. SCALE SHALL BE SIZED TO ACCEPT DRUMS OR CARBOYS FROM 18" TO 24" IN DIAMETER. PLATFORM HEIGHT SHALL BE NO MORE THAN 2" TO ALLOW EASY LOADING AND UNLOADING OF DRUMS. PLATFORM SHALL BE CONSTRUCTED OF _____ (EPOXY POWDER COATED OR 316 STAINLESS) STEEL.

LOAD CELL SHALL BE OF THE TEMPERATURE STABLE, ROLLING DIAPHRAGM TYPE. A 5' FLEXIBLE LENGTH OF PVC COATED COPPER SHALL LEAD FROM THE LOAD CELL TO ALLOW EASY INSTALLATION OF THE DIAL ON THE PLATFORM MOUNTED DIAL STAND. LOAD CELL SYSTEM SHALL REQUIRE NO ELECTRIC POWER AND SHALL BE IMMUNE TO ALL RFI/EMI, POWER FAILURES AND LIGHTNING STRIKES.

DIAL DIAMETER SHALL BE 8 1/2" AND READ 0-____ LBS WITH PROVISION FOR TARE ADJUSTMENT. DIAL SHALL BE TEMPERATURE STABLE WITH DAMPER INSTALLED TO PREVENT SHOCK DAMAGE. DIAL ACCURACY SHALL BE BETTER THAN 1/2 OF 1% OF FULL SCALE.

SCALE SHALL BE DRUMM-SCALE MODEL 8D____AS MANUFACTURED BY FORCE FLOW EQUIPMENT, 1150-D BURNETT AVE., CONCORD, CALIFORNIA 94520 USA.

OPTIONAL FEATURES

- 4-20MA TRANSMITTER (MODEL MA-420)- LOOP POWERED 4-20MA TRANSMITTER (REQUIRES 12-45 VOLTS DC POWER)
- LEVEL ALARM (MODEL RS-5)-ADJUSTABLE HIGH/LOW LEVEL ALARM WITH 10 AMP MANUAL RESET RELAY OR (MODEL PS-10) FIXED SET POINT 10 AMP PRESSURE SWITCH
- CIRCULAR CHART RECORDERS - CHOOSE 1 OR 7 DAY, ELECTRIC OR WIND-UP
- ADDITIONAL HYDRAULIC HOSE AND FITTINGS - INDICATORS CAN BE REMOTE MOUNTED UP TO 50' FROM SCALE LOCATION
- LOCKING TARE ADJUST KNOB - PREVENTS TAMPERING

